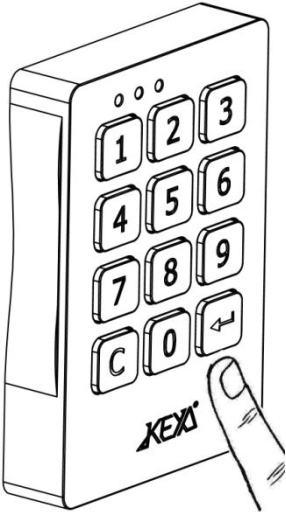


Multiuser mode

1



To close:

* * * * ←

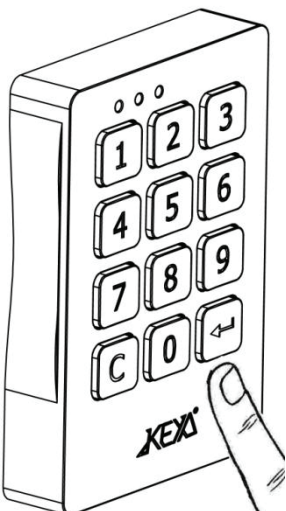
To open:

* * * * ←

Open and close by 4-digit code. The code is erased every time the lock is opened, being available for a new use.

Single User mode

2



To open:

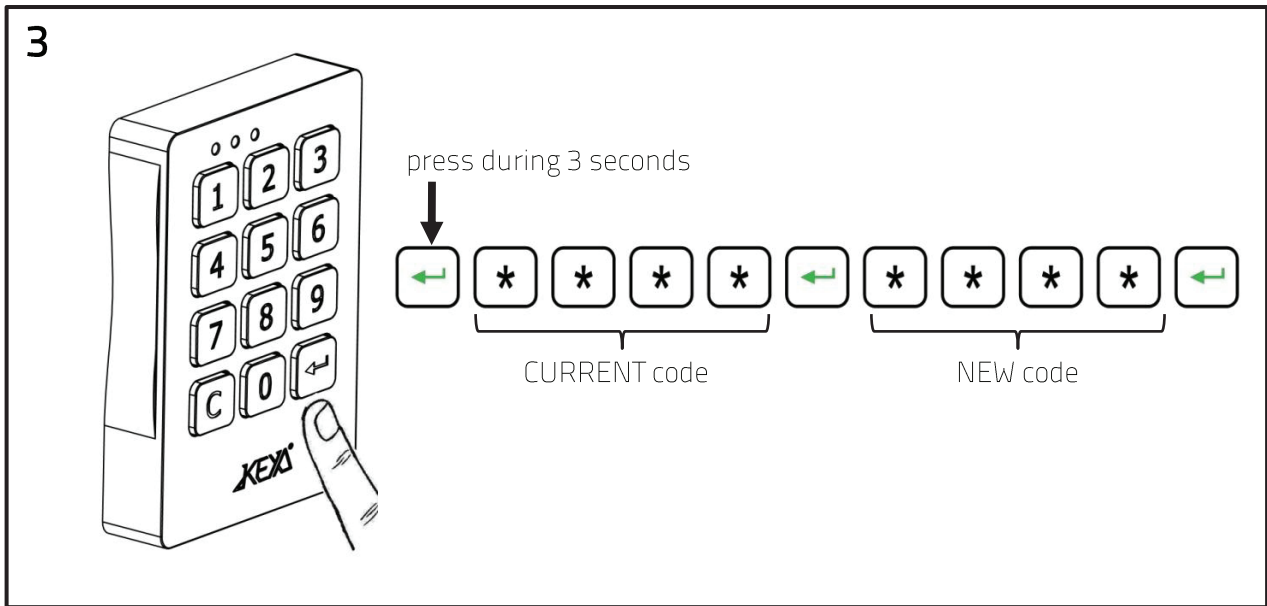
* * * * ←

To close:

The latch closes automatically after 2 seconds.
Note: the lock is provided with a metal latch holder that allows to close the door just by pushing it. (slam door system)

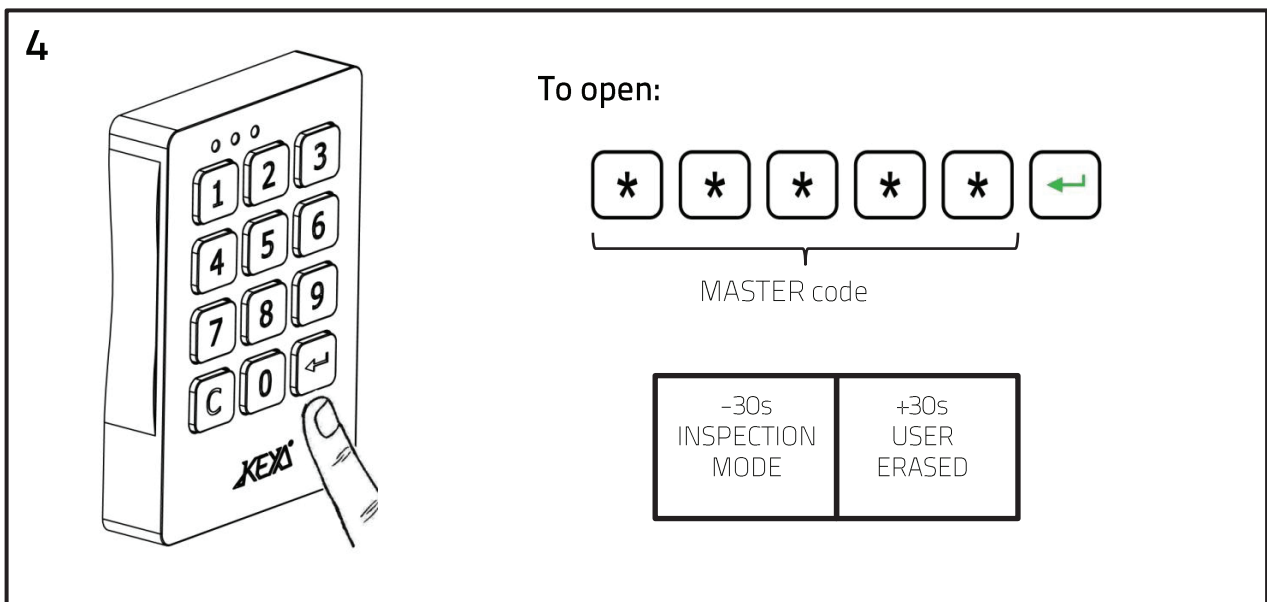
Open and close by 4-digit code. The code is set for 1 user only.

Change the User code



Press Enter during 3 seconds.
Introduce Current code and press Enter.
Introduce New code and press Enter.

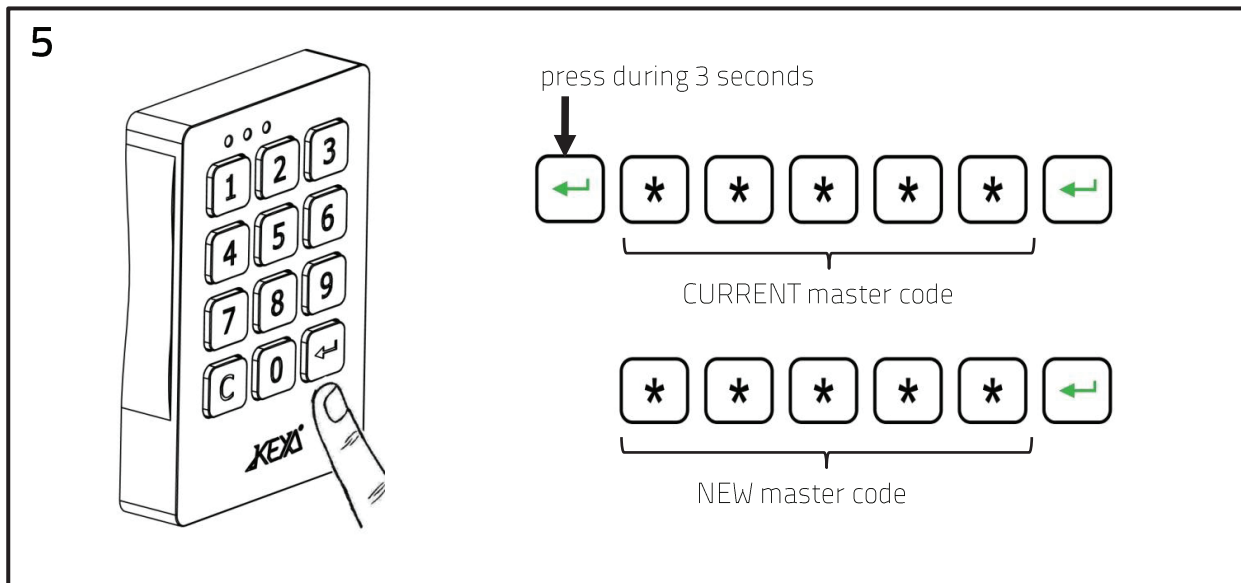
Open using Master code: Inspection mode / Delete User code



INSPECTION MODE
Introduce the 5 digit Master code and press Enter
Close the lock by pressing Enter before 30s.
The User code is not deleted.

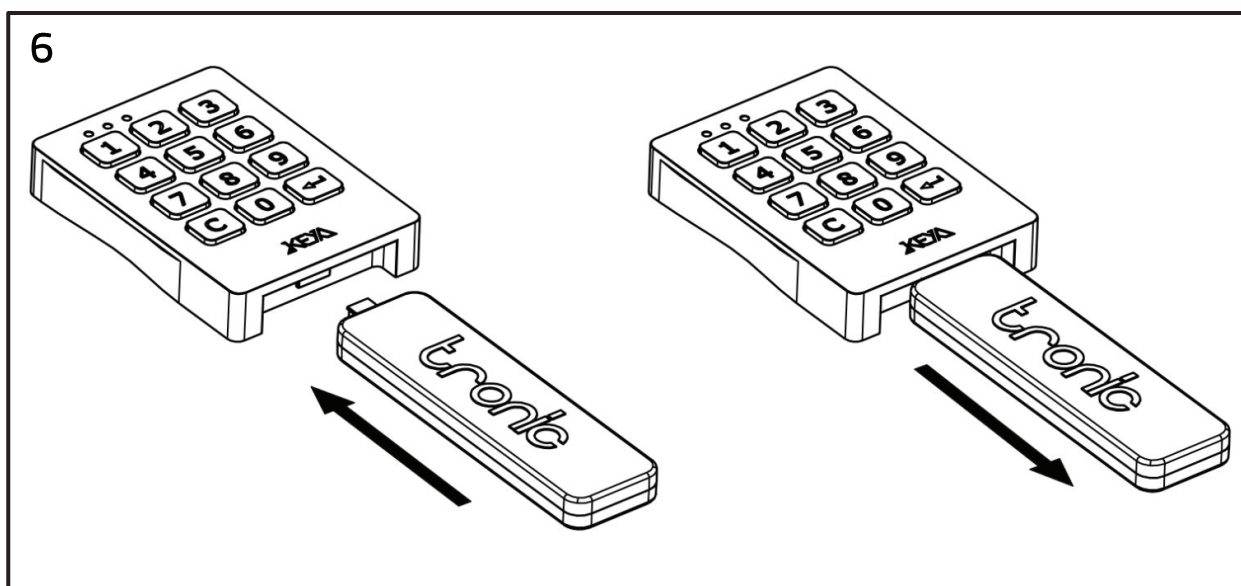
DELETE USER CODE
Introduce Master code and press Enter.
After 30s the lock remains opened.
The user code has been deleted and a new
User code will be required to close the lock
again.

Change the Master code



Press Enter during 3 seconds.
Introduce Current master code and press Enter.
Introduce New master code and press Enter.

Open using electronic Master key: Inspection mode/ Delete User code



INSPECTION MODE
Connect the Master key (BLUE)
Lock opens
Remove electronic key
Press enter before 30 seconds
User code is not deleted.

DELETE USER CODE
Connect the Master key (BLUE)
Lock opens
Remove electronic key
After 30 seconds the User code will be deleted.
A new User code will be required to close the lock again.

Programmable settings (management software and cable required)

AUTOMATIC OPENING TIME:

The lock will open automatically at the programmed time:

- hh : mm
- Mon, Tue, Wed, Thu, Fri, Sat, Sun
- Working days
- Two options: Leave door open
Close door again

ACOUSTIC SIGNAL VOLUME:

- High / Low / Off

LED INDICATION OF CLOSED POSITION:

- On / Off blinking red LED when locker is closed

CODES:

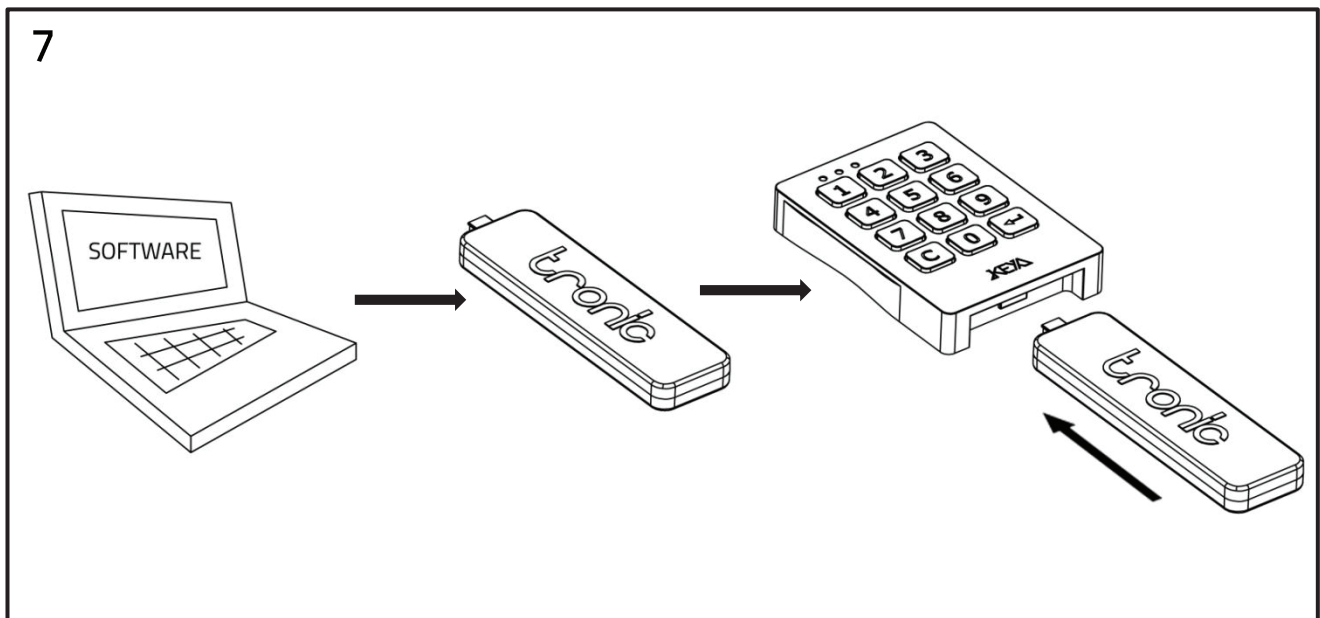
- User / Master

LAST EVENTS

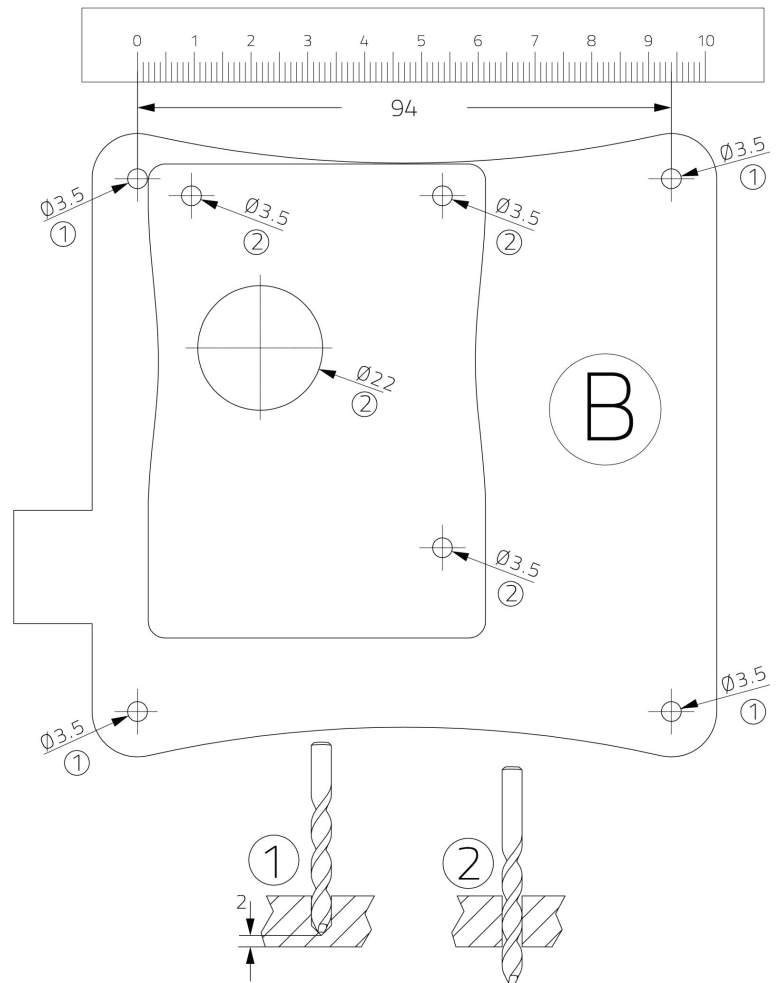
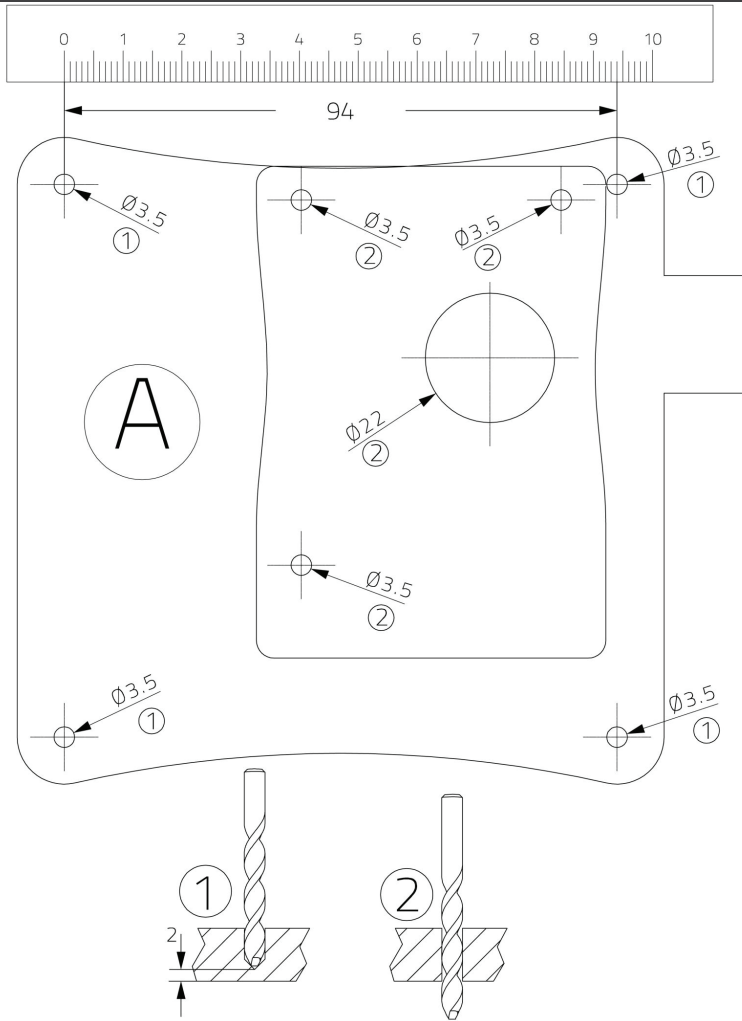
BATTERY LEVEL

N° OF OPERATIONS

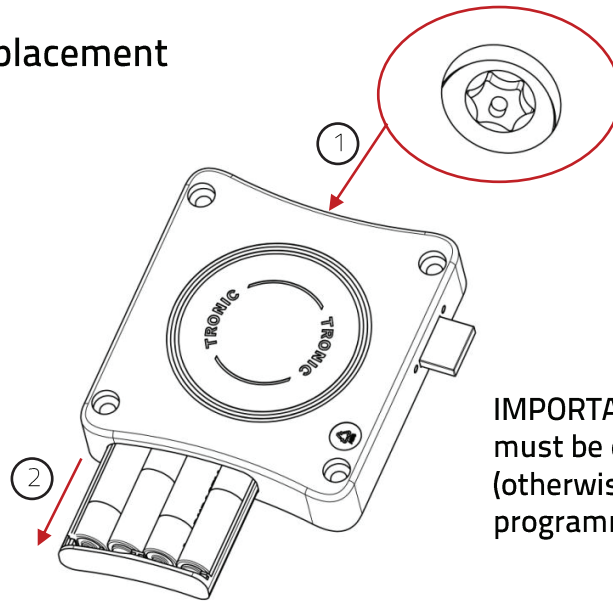
Settings key



Load settings from the computer to the settings key (BLACK)
Connect settings key to the lock.
The settings will be automatically transferred to the lock.



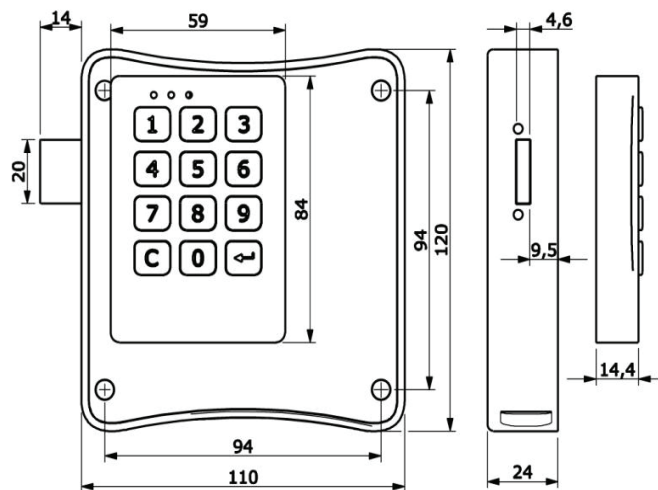
Batteries replacement



Thor T20

IMPORTANT: The batteries replacement must be done in less than 5 minutes (otherwise the clock will loose the programmed time)

Measurements



Technical specifications

Salt spray test	> 96h
Working temperature	-5°C <> +70°C
IP	IP 65
Latch force	> 45Kgf
UV Rays	> 10000h
Vibration	10 - 200 Hz 2g
Life test	> 200000 cycles
Electrostatic discharge	8000 V
Battery life	> 70000 cycles



RoHS





Aba-Szer Fémbútor Kft.

Köszönjük hogy termékünket választotta!