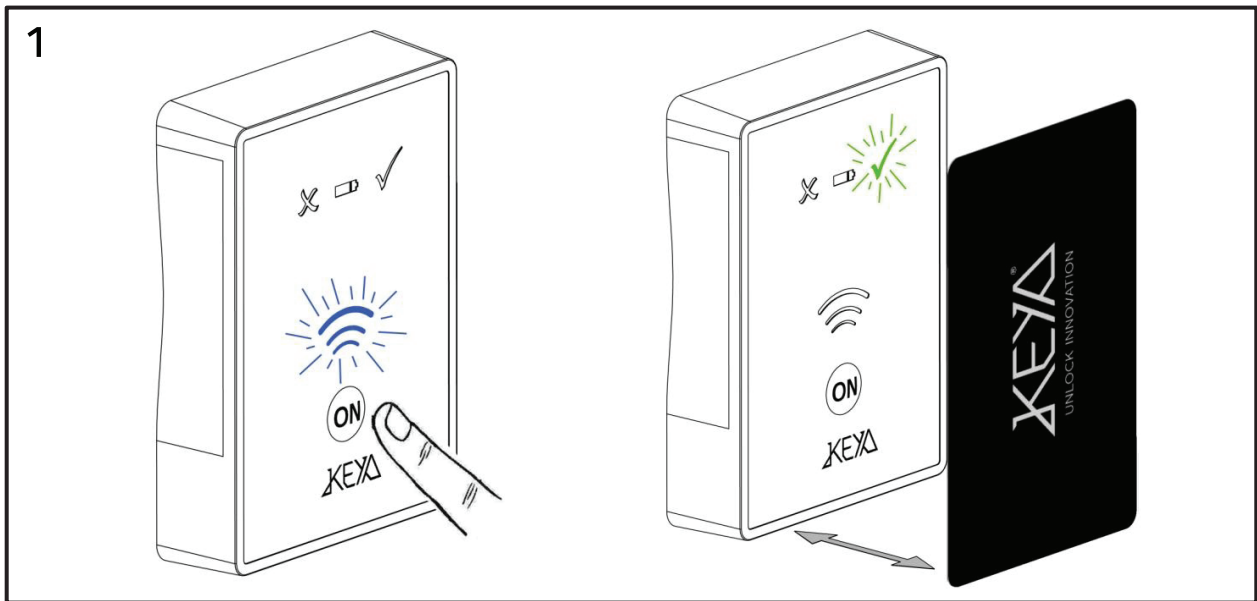


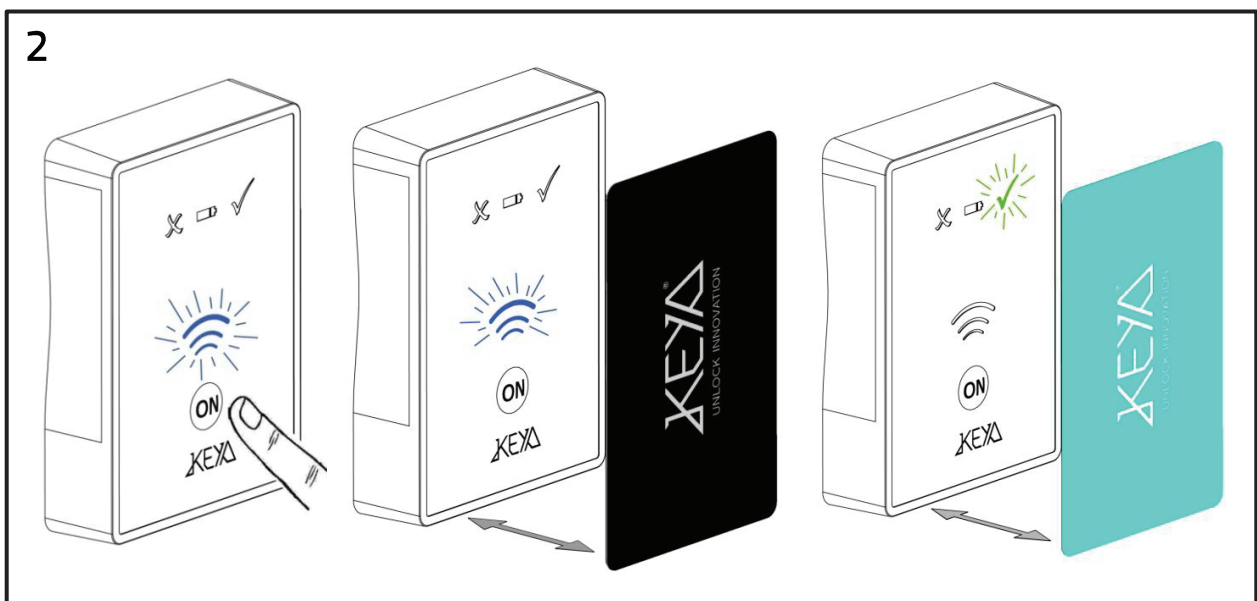
# Tronic Mifare

## Mode selection: Multiuser / Single User



Press ON: Approach the Management card 2 times = Multiuser mode (Green LED, 2 short beeps)  
Approach the Management card 3 times = Single user mode (Green LED, 4 short beeps)

## Create and delete Master cards



### CREATE:

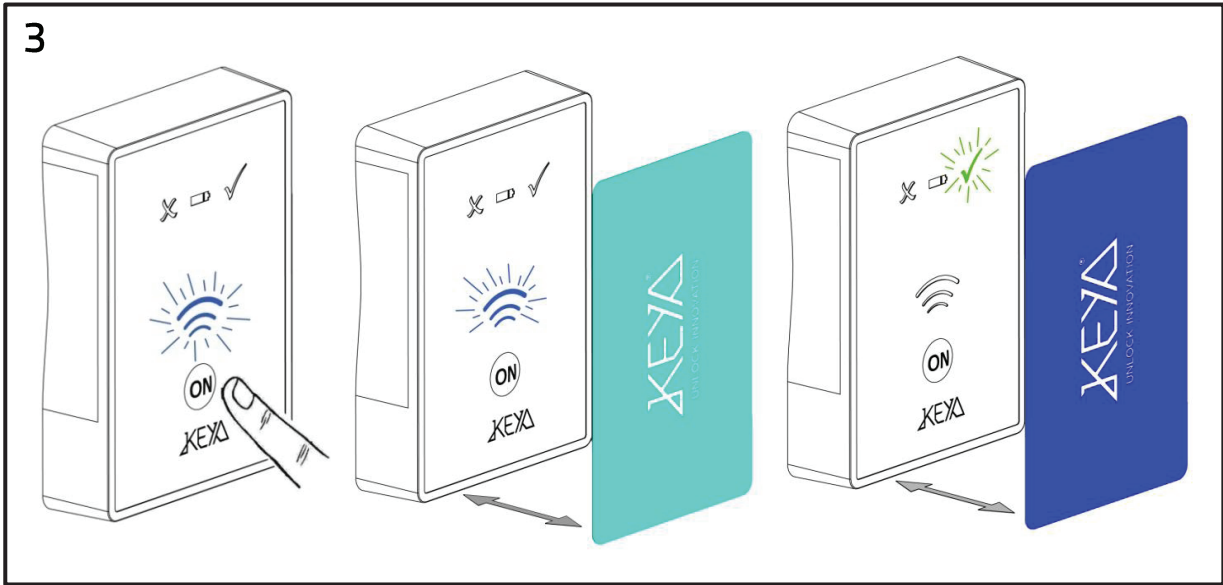
Press ON: Approach the Management card followed by the new Master card.  
Up to 5 Master cards can be created per lock.  
Green LED and long beep = Master card created successfully.  
Red LED and 3 short beeps = Master card not created.

### DELETE:

Press ON: Approach the Management card followed by the Master card.  
Red LED 3 fast blinks and 3 short beeps = Master card deleted.

# Tronic Mifare

## Create and delete User cards ( only for single user mode )



### CREATE:

Press ON: Approach the Master card followed by the new User card.

Up to 50 User cards can be created per lock.

Green LED and long beep = User card created successfully.

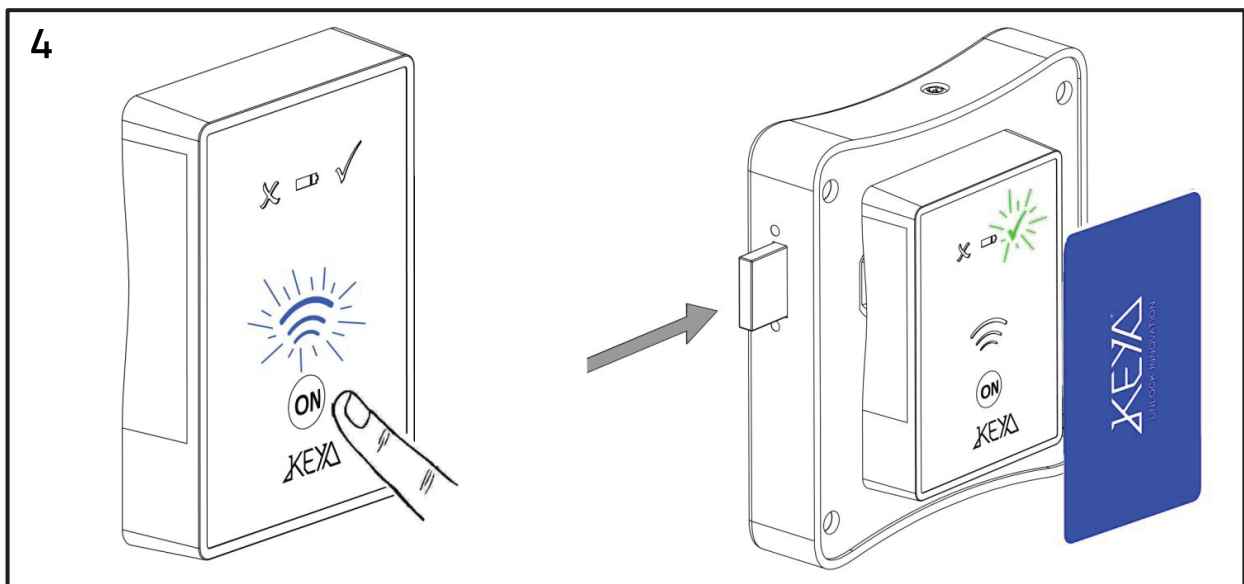
Red LED and 3 short beeps = User card not created.

### DELETE:

Press ON: Approach the Master card followed by the User card.

Red LED 3 fast blinks and 3 short beeps = User card deleted.

## Multiuser / Single user: Open and close



### JUSER

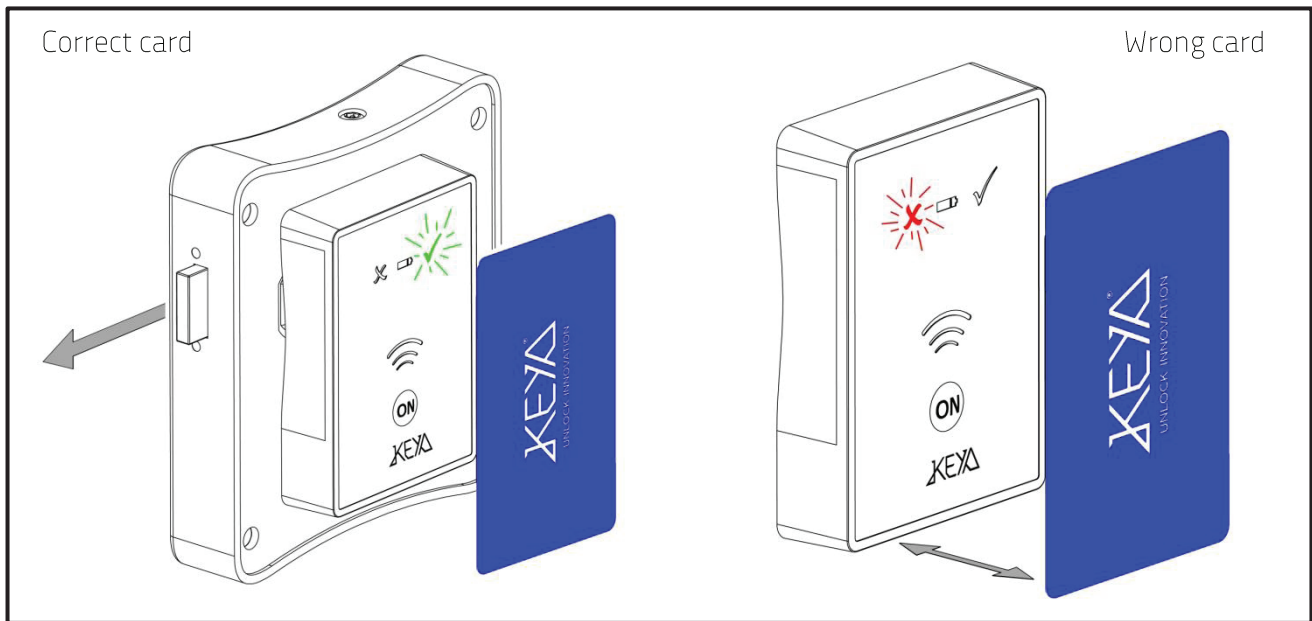
Press ON: Approach the User card

### SINGLE USER

Approach the assigned User card to open the lock.

After 2 seconds the latch closes automatically

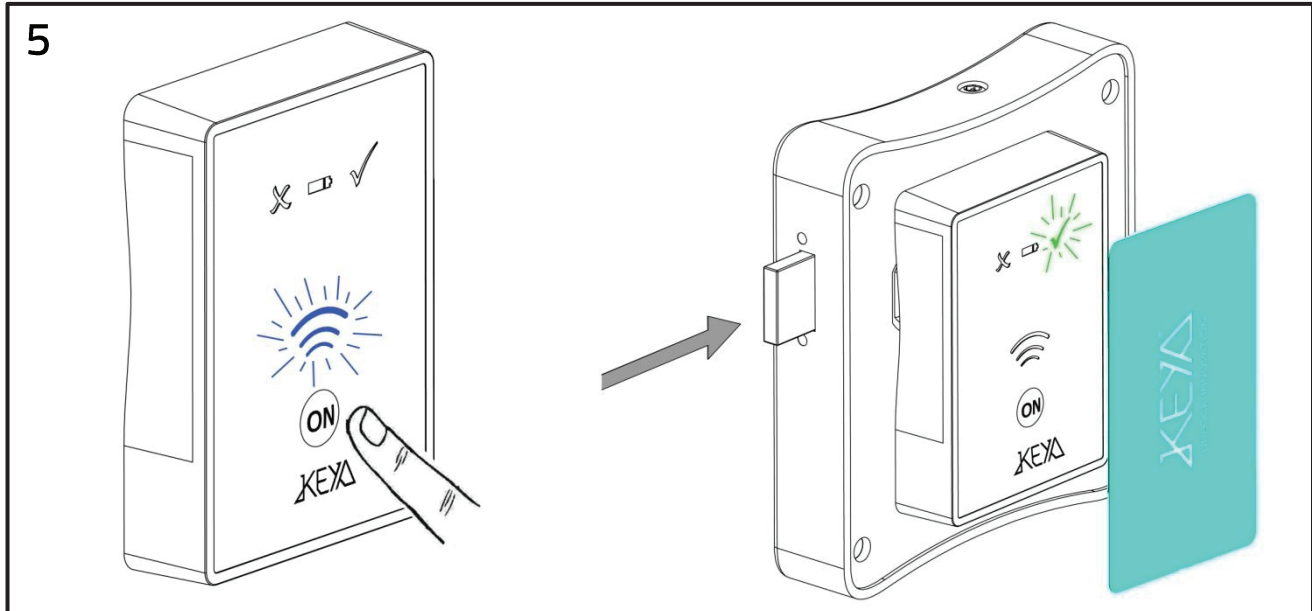
# Tronic Mifare



OK: Green LED 1 long beep.

Not OK: Red LED and 3 short beeps

## Open using Master card: Inspection mode

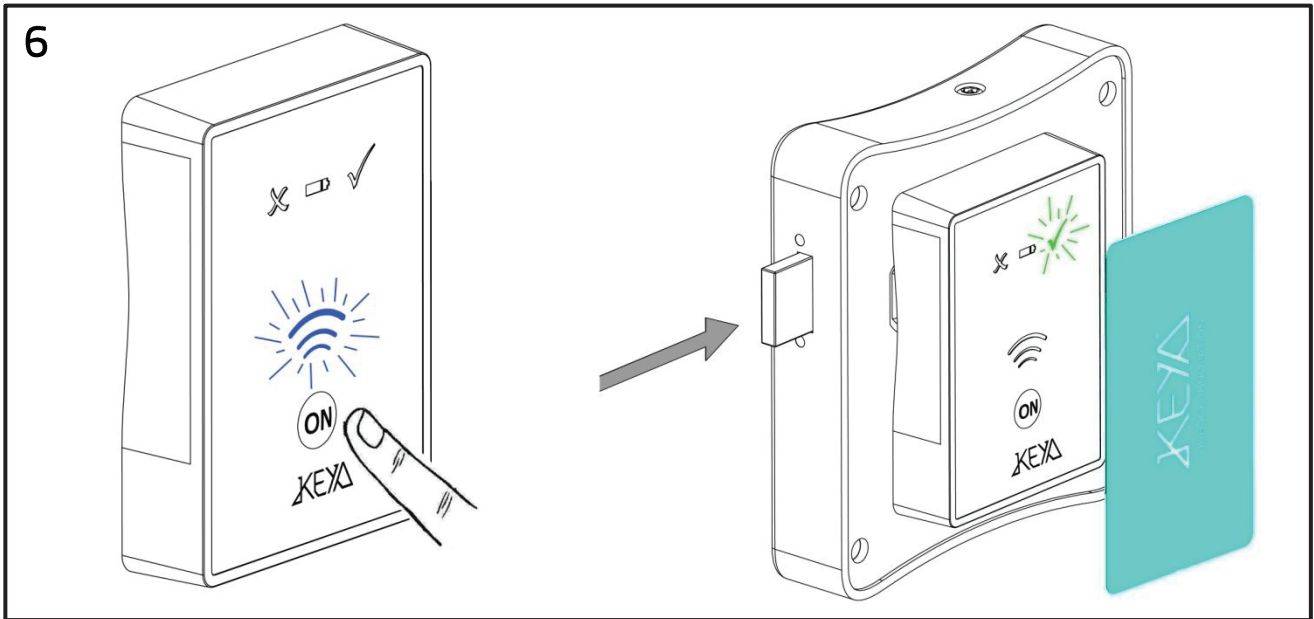


### INSPECTION MODE

Press ON: Approach the Master card (1 time)  
Green LED and long beep  
Lock opens during 30 seconds  
After inspection time lock closes automatically  
(User card is not deleted)

# Tronic Mifare

## Open using Master card: Delete User card



### DELETE USER CARD

Press ON: Approach the Master card (2 times)  
Green LED and long beep  
Lock remains opened.  
(User card has been deleted)

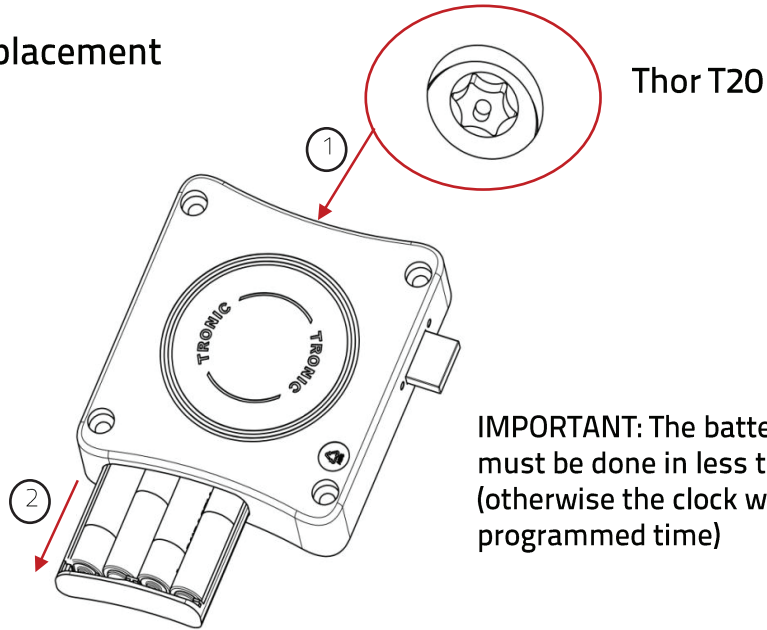
## Delete all user cards ( only for single user mode )



Press ON: Approach the Master card (4 times)  
All User cards of this lock have now been deleted.

# Tronic Mifare

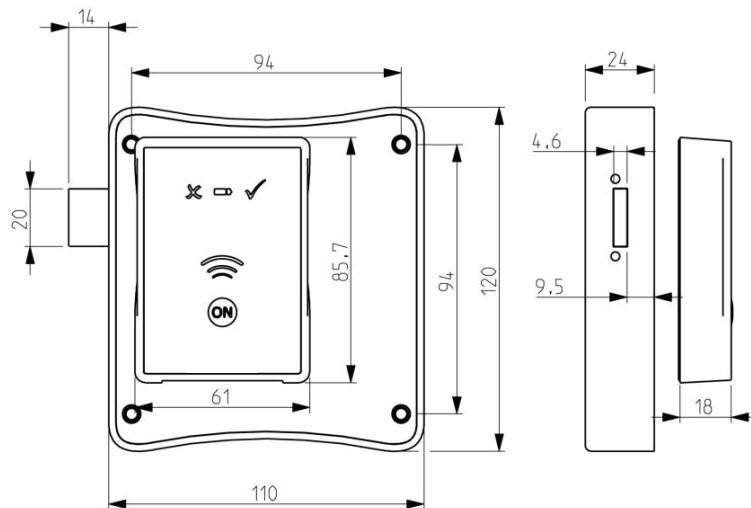
## Batteries replacement



Thor T20

**IMPORTANT:** The batteries replacement must be done in less than 5 minutes (otherwise the clock will loose the programmed time)

## Measurements



## Technical specifications

Salt spray test	> 96h
Working temperature	-5 ° C <> +70 ° C
IP	IP 65
Latch force	> 45Kgf
UV Rays	> 10000h
Vibration	10 - 200 Hz 2g
Life test	> 200000 cycles
Electrostatic discharge	8000 V
Battery life	> 35000 cycles



RoHS



Management System  
ISO 9001:2008

www.tuv.com  
ID 9105066651