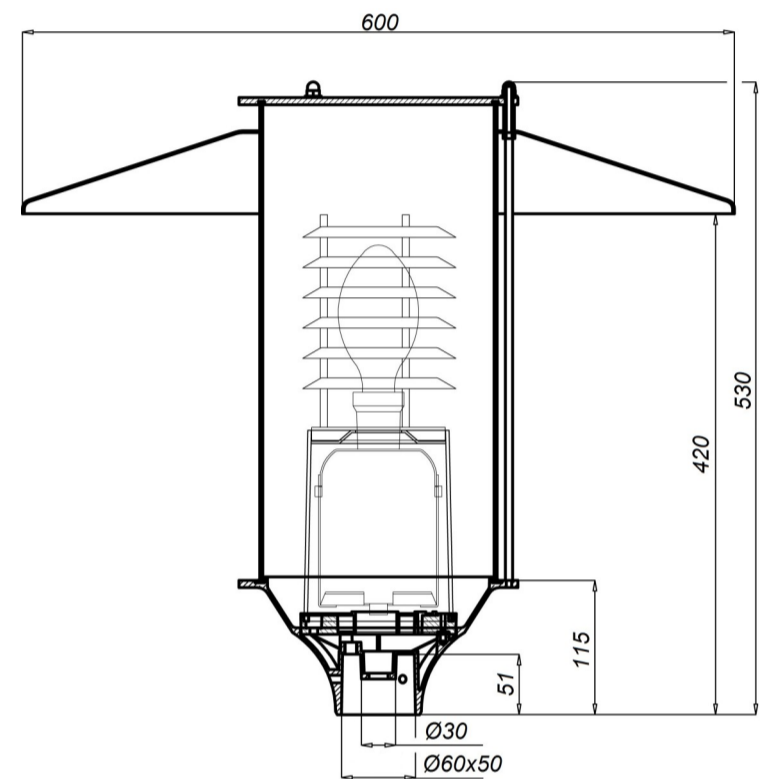




ELBA

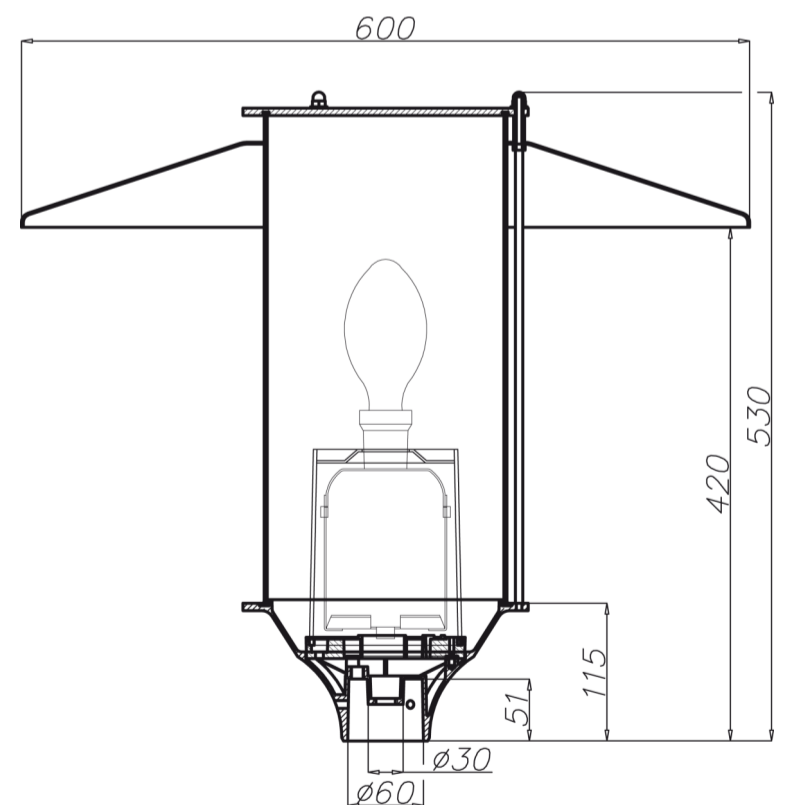
CE



ELBA luminaire with transparent lamp diffuser

Characteristic

| | |
|-------------------|--|
| Protection degree | 230V, AC |
| Voltage | 50 Hz |
| Frequency | II |
| Insulation class | IP 65 |
| Material | <p>body – die cast aluminium control gear cover – polycarbonate lamp diffuser – Ø200 mm UV stabilized polycarbonate in transparent or frost poly(methyl methacrylate) PMMA cap – formed aluminium sheet</p> |
| Colour | black, possibility to paint with other RAL colours |
| Mounting | upwards only |
| Assembly | on columns, extension arms, aluminium and steel wall brackets with spigot ending Ø60 mm, 50 mm deep |
| Control gear | mounted on gear frame, magnetic ballast with thermal protection for luminaires 50W-100W, metal halide lamps MH 70W (EL) optionally available with electronic ballast |



ELBA luminaire with frosted lamp diffuser



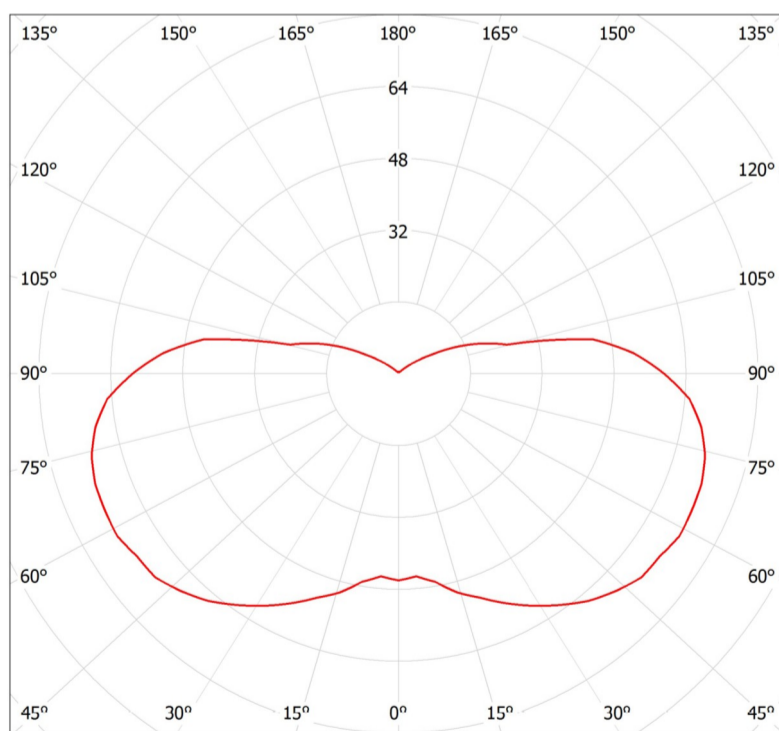
ELBA



Technical data

| Luminaire type | | | ELBA S-70W | ELBA S-100W | ELBA MH-70W | ELBA MH-100W | ELBA E/Z | |
|--|------------------------------|---------|-------------------------------|------------------------------------|-------------------|--------------|-------------------------------|--|
| Painted—black | Lamp diffuser frost | code | 2134002 | 2134003 | 2134007 | 2134008 | 2134015 | |
| Painted—other colour | | | 2135002 | 2135003 | 2135007 | 2135008 | 2135015 | |
| Painted—black | Lamp diffuser transparent | | 213602 | 213603 | 213607 | 213608 | 213615 | |
| Painted—other colour | | | 213702 | 213703 | 213707 | 213708 | 213715 | |
| Power [W] | | | 70 | 100 | 70 | 100 | 23 | |
| Light source type | | | sodium E-27 | sodium E-40 | metal halide E-27 | | compact fluorescent lamp E-27 | |
| Net weight [kg] | Lamp diffuser white | 6,3 | 6,7 | 6,3 | 6,7 | 5,0 | | |
| | Lamp diffuser transparent | 6,5 | 6,9 | 6,5 | 6,9 | 5,2 | | |
| Unit volume [m ³] | | | 0,06 | | | | | |
| Windage [m ²] | | | 0,115 | | | | | |
| Cylindric diameter of lamp diffuser [mm] | | | Ø200 | | | | | |
| Exemplary lamp types | | Philips | SON 70W-E CDO-ET (-TT) 70W | SON(T) 100W-E CDO-ET (-TT) 100W | — | — | 23W | |
| | | Osram | NAV-E 70W | NAV-E(T) 100W | HQI-E 70W | HQI-E 100W | 23W | |

- Low Voltage Directive LVD 2006/95/WE, norm PN-EN 60598-1
- Directive EMC 2004/108/WE, norms: PN-EN 55015, PN-EN 61547, PN-EN 61000-3-2, PN-EN 61000-3-3



Distribution curve for luminaire ELBA S-100W, frosted lamp diffuser

